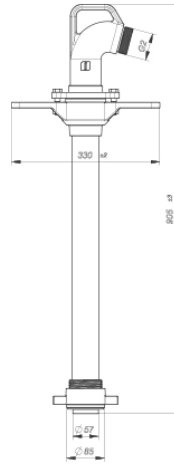




SZTRONG
STANDPIPES FOR
UNDERGROUND
HYDRANTS

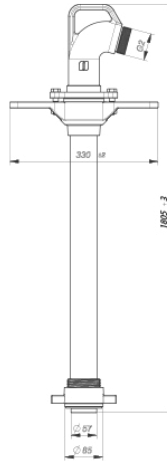


DN 50

DN	Outlet	Width B (mm)	Height H (mm)	Weight (kg)	Solid coupling	ID-No.
50	C	330	905	3,9	YES	111019
50	C	330	905	3,7	NOT	111020
50	2 C	330	965	5,3	YES	111017
50	2 C	330	965	5,1	NOT	111018



SZTRONG
STANDPIPES FOR
UNDERGROUND
HYDRANTS

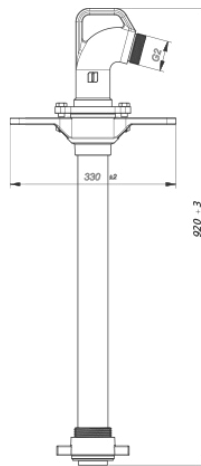


DN 50 - EXTENDED

DN	Outlet	Width B (mm)	Height H (mm)	Weight (kg)	Solid coupling	ID-No.
50	C	330	1805	5,54	YES	111021
50	C	330	1805	5,35	NOT	111022
50	2 C	330	1865	5,3	YES	111033
50	2 C	330	1865	5,1	NOT	111034



SZTRONG
STANDPIPES FOR
UNDERGROUND
HYDRANTS

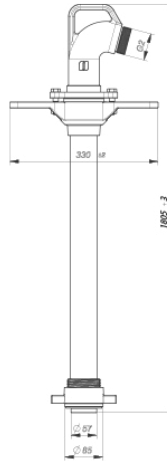


DN 50 - EXTENSION OF STANDPIPE

DN	Outlet	Width B (mm)	Height H (mm)	Weight (kg)	Solid coupling	ID-No.
50	C	370	920	3,7	YES	111023
50	C	370	920	3,5	NOT	111024
50	2 C	330	980	5,4	YES	111035
50	2 C	330	980	5,2	NOT	111036



SZTRONG
STANDPIPES FOR
UNDERGROUND
HYDRANTS

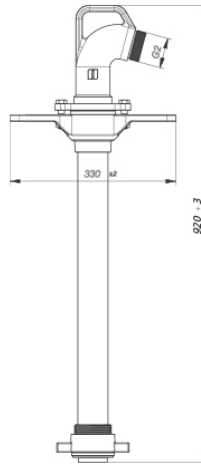


DN 80

DN	Outlet	Width B (mm)	Height H (mm)	Weight (kg)	Solid coupling	ID-No.
80	B	330	905	4,4	YES	111007
80	B	330	905	4,2	NOT	111008
80	C	330	905	4,2	YES	111005
80	C	330	905	4	NOT	111006
80	2 B	330	1015	6,8	YES	111003
80	2 B	330	1015	6,6	NOT	111004
80	2 C	330	970	5,7	YES	111001
80	2 C	330	970	5,5	NOT	111002



SZTRONG
STANDPIPES FOR
UNDERGROUND
HYDRANTS

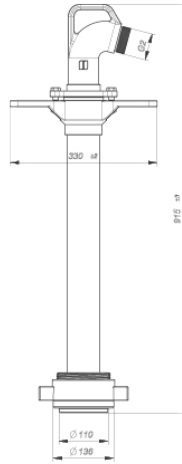


DN 80 - EXTENSION OF STANDPIPE

DN	Outlet	Width B (mm)	Height H (mm)	Weight (kg)	Solid coupling	ID-No.
80	B	330	920	4,5	YES	111027
80	B	330	920	4,3	NOT	111028
80	C	330	920	4,3	YES	111025
80	C	330	920	4,1	NOT	111026
80	2 B	330	1030	6,9	YES	111043
80	2 B	330	1030	6,7	NOT	111044
80	2 C	330	985	5,8	YES	111041
80	2 C	330	985	5,6	NOT	111042



SZTRONG
STANDPIPES FOR
UNDERGROUND
HYDRANTS

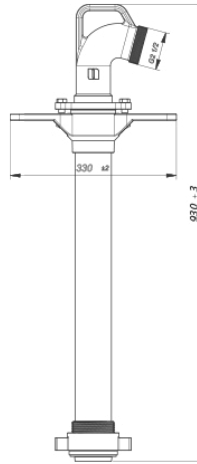


DN 100

DN	Outlet	Width B (mm)	Height H (mm)	Weight (kg)	Solid coupling	ID-No.
100	B	330	950	7,1	YES	111015
100	B	330	950	6,9	NOT	111016
100	C	330	950	7,1	YES	111013
100	C	330	950	6,9	NOT	111014
100	2 B	330	1025	9,4	YES	111011
100	2 B	330	1025	9,2	NOT	111012
100	2 C	330	980	8,4	YES	111009
100	2 C	330	980	8,2	NOT	111010



SZTRONG
STANDPIPES FOR
UNDERGROUND
HYDRANTS

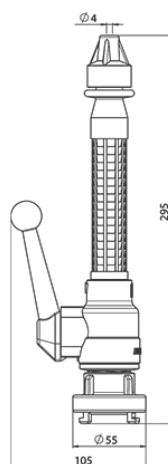


DN 100 - EXTENSION OF STANDPIPE

DN	Outlet	Width B (mm)	Height H (mm)	Weight (kg)	Solid coupling	ID-No.
100	C	330	930	7,1	YES	111029
100	C	330	930	6,9	NOT	111030
100	B	330	930	7,2	YES	111031
100	B	330	930	7	NOT	111032
100	2 B	330	1025	9,5	YES	111037
100	2 B	330	1025	9,3	NOT	111038
100	2 C	330	995	8,5	YES	111039
100	2 C	330	995	8,2	NOT	111040



BRANCH PIPES Ø 25 - PLASTIC HOSE



WITH COUPLINGS

Outlet	Nozzle outlet	Length (L)	Height (H)	Weight (kg)	ID-No.
Ø 4	Plastic nozzle outlet	295	100	0,41	121003

WITHOUT COUPLINGS

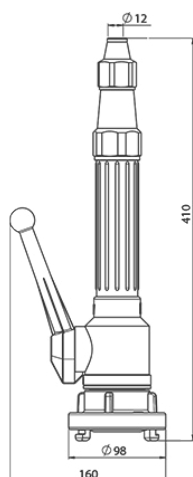
Outlet	Nozzle outlet	Length (L)	Height (H)	Weight (kg)	ID-No.
Ø 4	Plastic nozzle outlet	295	100	0,34	121002
Ø 6	Plastic nozzle outlet	270	100	0,34	121018

WITH CONNECTION DIRECTLY TO HOSE

Outlet	Nozzle outlet	Length (L)	Height (H)	Weight (kg)	ID-No.
Ø 4	Plastic nozzle outlet	305	100	0,37	121001



BRANCH PIPES FI 52



WITH COUPLINGS

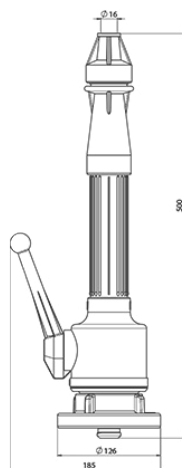
Outlet	Hose	Nozzle outlet	Length (L)	Height (H)	Weight (kg)	ID-No.
Ø 12	ALU PVC-coated handle	Double	410	160	1,25	121005
Ø 12	ALU PVC-coated handle	Single	390	160	1,23	121006
Ø 12	ALU PVC-coated handle		410	98	1,00	121007
Ø 12	ALU PVC-coated handle	Jet-curtain	430/440	160	1,58	121013
Ø 9	Plastic hose	Plastic nozzle outlet	440	160	1,07	121020
Ø 12	Plastic hose	Plastic nozzle outlet	440	160	1,07	121015

WITHOUT COUPLINGS

Outlet	Hose	Nozzle outlet	Length (L)	Height (H)	Weight (kg)	ID-No.
Ø 12	ALU PVC-coated handle	Double	410	160	1,25	121004
Ø 12	ALU PVC-coated handle	Single	390	160	1,00	121007
Ø 12	ALU PVC-coated handle		410	98	0,74	121016
Ø 12	ALU PVC-coated handle	Jet-curtain	430/440	160	1,32	121012
Ø 9	Plastic hose	Plastic nozzle outlet	440	160	0,83	121021
Ø 12	Plastic hose	Plastic nozzle outlet	440	160	0,83	121014



BRANCH PIPES FI 75 - ALU PVC-COATED HANDLE



WITH COUPLINGS

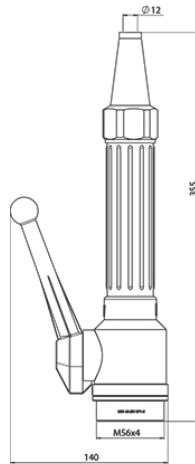
Outlet	Nozzle outlet	Length (L)	Height (H)	Weight (kg)	ID-No.
Ø 16	Double nozzle (gravity casting)	500	185	2,41	121009
Ø 16	Jet-curtain	495/505	185	2,59	121011

WITHOUT COUPLINGS

Outlet	Nozzle outlet	Length (L)	Height (H)	Weight (kg)	ID-No.
Ø 16	Double nozzle (gravity casting)	500	185	2,01	121008
Ø 16	Jet-curtain	495/505	185	2,19	121010



BRANCH PIPES FI 45 - ALU PVC-COATED HANDLE

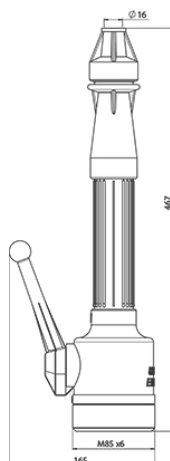


WITH COUPLINGS

Outlet	Hose	Nozzle outlet	Length (L)	Height (H)	Weight (kg)	ID-No.
$\varnothing 12$	ALU PVC-coated handle	Single	355	140	0,95	121022
$\varnothing 12$	ALU PVC-coated handle	Double	375	140	1,09	121023
$\varnothing 12$	ALU PVC-coated handle	Jet-curtain	370/405	140	1,41	121026
$\varnothing 12$	Plastic hose	Plastic nozzle outlet	405	100	0,83	121024
$\varnothing 9$	Plastic hose	Plastic nozzle outlet	405	100	0,83	121025
$\varnothing 16$		Double	410	165	2,14	121027
$\varnothing 16$		Jet-curtain	462/472	165	2,30	121028

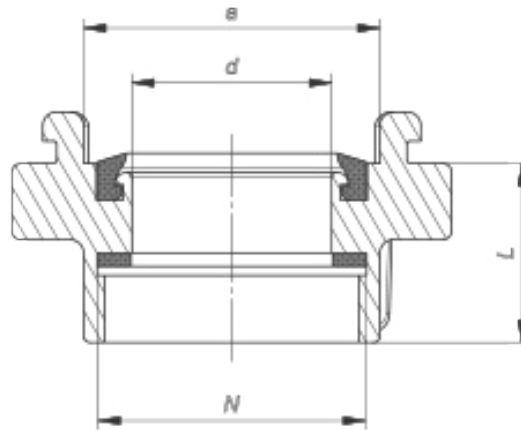


BRANCH PIPES FI 70



WITH COUPLINGS

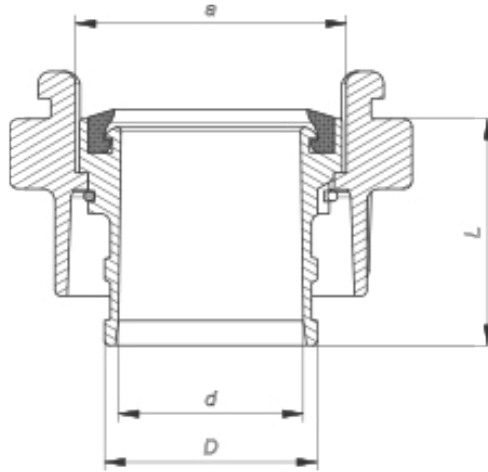
Outlet	Hose	Nozzle outlet	Length (L)	Height (H)	Weight (kg)	ID-No.
Ø 12	ALU PVC-coated handle	Double	410	165	2,14	121027
Ø 12	ALU PVC-coated handle	Jet-curtain	462/472	165	2,30	121028



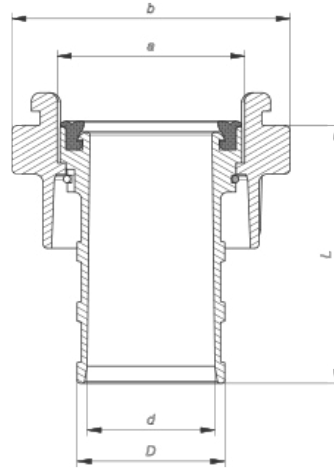
Size	Thread	Lug spacing a (mm)	Length L (mm)	Internal neck diameter $\varnothing d$ (mm)	Materials	Standard	Weight (kg)	ID-No.
25=D	G1	31	30	18	Al-forged	DIN 14306	0,08	131011
25=D	G1	31	30	18	Al-casted		0,08	131012
25=D	G1	31	30	18	Ms		0,25	131013
25=D	G1	31	30	18	Steel		0,22	131014
25=D	G1	31	30	18	Al-forged		0,08	131015
25=D	G1	31	30	18	Al-forged	PN 40	0,08	131016
25=D	G1	31	30	18	Ms	PN 40	0,25	131017
25=D	G1A	31	30	18	Al-forged		0,08	131018
25=D	G1A	31	30	18	Al-forged		0,08	131019
25=D	G1A	31	30	18	Al-casted		0,08	131020
25=D	G1A	31	30	18	Ms		0,25	131021
25=D	G1A	31	30	18	Ms	PN 40	0,25	131021



Size	Thread	Lug spacing a (mm)	Length L (mm)	Internal neck diameter Ø d (mm)	Materials	Standard	Weight (kg)	ID-No.
52=C	G2	66	40	44	Al-casted		0,24	131001
52=C	G2	66	40	44	Al-forged	DIN 14307	0,26	131022
52=C	G2	66	40	44	Ms	DIN 86204	0,63	131023
52=C	G2	66	40	44	Steel		0,5	131024
52=C	G2	66	40	44	Al-forged		0,27	131025
52=C	G2A	66	40	44	Al-forged		0,22	131026
52=C	G2A	66	40	44	Al-casted		0,21	131027
52=C	G2A	66	40	44	Ms		0,21	131028
52=C	G2A	66	40	44	Steel		0,69	131029
52=C	G2A	66	40	44	Al-forged		0,21	131030
75=B	G2 1/2	89	42	64,5	Al-casted		0,39	131004
75=B	G2 1/2	89	42	64,5	Al-forged	DIN 14308	0,42	131031
75=B	G2 1/2	89	42	64,5	Ms	DIN 86205	0,5	131032
75=B	G2 1/2	89	42	64,5	Steel		0,4	131033
75=B	G2 1/2 A	89	42	64,5	Al-casted		0,38	131034
110=A	G4 1/2	133	48	100	Al-casted		1	131035
110=A	G4 1/2	133	48	100	Al-forged	DIN 14309	1,09	131036
110=A	G4A	133	45	100	Al-casted		0,91	131037
110=A	G4A	133	45	100	Al-forged		0,92	131038
110=A	G4A	133	45	100	Ms		1	131039
110=A	G4A	133	45	100	Steel		0,8	131040



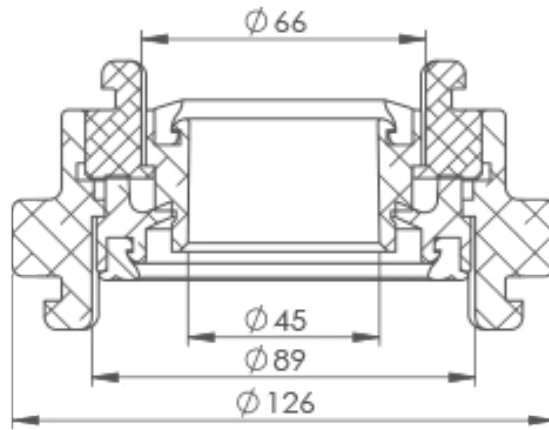
Size	Lug spacing a (mm)	Length L (mm)	Internal neck diameter \varnothing d (mm)	Materials	Standard	Weight (kg)	ID-No.
25=D	31	55	18	Al-forged	DIN 14301	0,09	131050
25=D	31	55	18	Ms		0,28	131051
25=D	31	55	18	Steel		0,25	131052
25=D	31	55	18	Al-forged		0,09	131053
25=D	31	55	18	Al-forged	PN 40	0,09	131054
25=D	31	55	18	Al-casted		0,09	131055
52=C	66	55	36	Al-forged		0,34	131041
52=C	66	55	36	Ms		0,4	131042
52=C	66	55	45	Al-casted		0,33	131002
52=C	66	55	45	Al-forged	DIN 14302	0,32	131043
52=C	66	55	45	Ms	DIN 86202	0,4	131045
52=C	66	55	45	Steel		0,35	131046
75=B	89	60	65	Al-forged	DIN 14303	0,56	131047
75=B	89	60	65	Ms	DIN 86203	0,7	131005
75=B	89	60	65	Steel		0,6	131048
75=B	89	60	65	Steel		0,6	131049



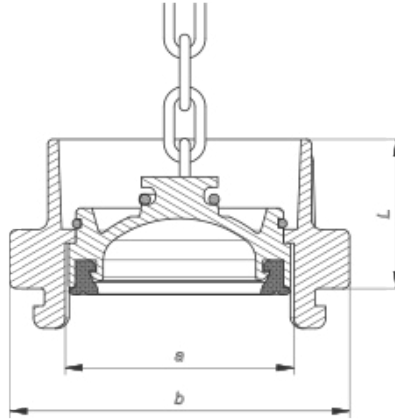
Size	For hose i, d, Ø	Lug spacing a (mm)	Lenght tail piece L (mm)	Internal neck diameter Ø d (mm)	Materials	Standard	Weight (kg)	ID-No.
52=C	52	66	45	90	Al-casted		0,37	131007
52=C	52	66	45	90	Al-forged	DIN 14321	0,36	131056
52=C	52	66	45	90	Al-forged		0,36	131057
52=C	52	66	45	90	Ms		1,09	131058
52=C	52	66	45	90	Steel		0,75	131059
52=C	52	66	45	90	Ms	PN 40	1,06	131060
75=B	75	89	65	125	Al-casted		0,71	131008
75=B	75	89	65	125	Al-forged	DIN 14322	0,69	131061
75=B	75	89	65	125	Ms		1,89	131062



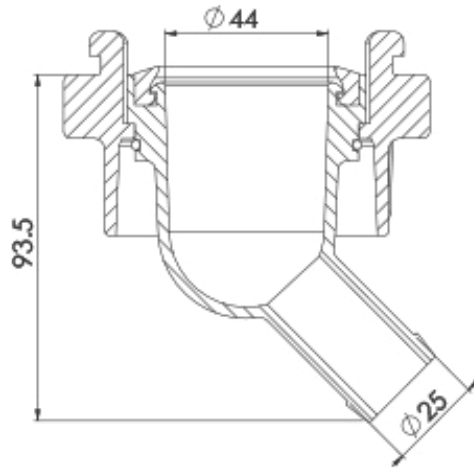
Size	For hose i, d, Ø	Lug spacing a (mm)	Lenght tail piece L (mm)	Internal neck diameter Ø d (mm)	Materials	Standard	Weight (kg)	ID-No.
110=A	110	133	100	170	Al-casted		1,65	131064
110=A	110	133	100	170	Al-forged	DIN 14323	1,66	131065
110=A	110	133	100	170	Ms		5	131066
110=A	110	133	100	170	Steel		3,3	131067
110=A neck 100	100	133	100	170	Al-forged		1,63	131068
110=A neck 100	100	133	100	170	Al-casted		1,7	131069
110=A neck 100	100	133	100	170	Ms		4,35	131070
110=A neck 100	100	133	100	170	Steel		3,55	131071



Size	Lug spacing a (mm)	Length L (mm)	Materials	Weight (kg)	ID-No.
75/52 (B/C)	89/66	39	Al-casted	0,6	131009



Size	Lug spacing a (mm)	Length L (mm)	External diameter Ø b (mm)	Materials	Weight (kg)	ID-No.
52=C	66	43	98	Al-casted	0,33	131003
75=B	89	45	125	Al-casted	0,52	131006



Size	Hose Ø	Outlet Ø	Materials	Weight (kg)	ID-No.
52=C	25	19	Al-casted	0,78	131010